






## TECHNICAL DATA SHEET: LE2F100-RO FLAT TO WALL TV MOUNT

13"-23"   
33-58CM

  
20KG

MAX.VESA  
  
100X100

15MM  


The Essentials Series is a range of **simple**, no-fuss **TV mounts** that offer **fully-featured**, easy to use **functionality** at price points that represent **excellent value for money**.

The range is carefully tailored to cover all **LCD, LED and Plasma TV mounting requirements**.

Our designs offer **reduced package size for improved shipping fills**, reducing your carbon footprint. The product packaging also offers easy **merchandising** with simple to shop communicative icons.

### Features:

- Low profile design for picture style mounting
- Easy slide on installation
- Shaped metal for extra strength



### Technical Specifications:

Max Load	Distance from wall (Folded)	Distance from wall (Extended)	Swivel Range	Tilt Range	No of Articulation Points	Mounting Pattern	VESA Compatible
20Kg/ 44lbs	15mm/ 0.6"	n/a n/a	n/a	n/a	0	Single Stud & Solid Wall	75x75 to 100x100



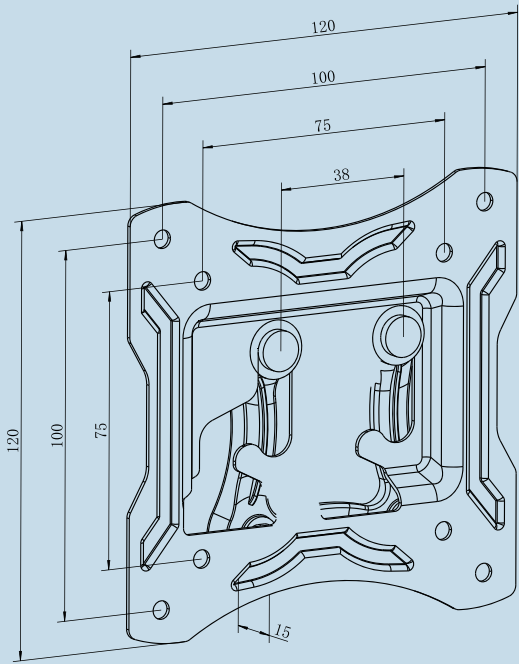


**DIMENSIONS & SPECIFICATIONS SHEET: LE2F100-RO  
FLAT TO WALL TV MOUNT**

Packed image



Line drawing



All dimensions are in mm

**Packaging Information:**

Product Number	Description	Product Packaging		Outer Packaging		
		Type	Barcode	Type	Qty in Box	Barcode
LE2F100-RO	Flat to Wall TV Mount	Colour Gift Box	5015056 538150	Brown Outer with Label	10	05015056 540337

**Weight & Dimensions:**

Product			Product Box			Outer Box		
Extended	Folded	Net Weight	Dimensions	Gross Weight	Cubic	Dimensions	Gross Weight	Cubic
12 x 12 x 1.5 cm	n/a	0.140kg	13 x 12 x 2.5 cm	0.04kg	0.0004m <sup>3</sup>	27.5 x 14.5 x 14.8 cm	2.01kg	0.0059m <sup>3</sup>
4.72" x 4.72" x 0.59"	n/a	0.308lbs	5.12" x 4.72" x 0.98"	0.08lbs	0.0138ft <sup>3</sup>	10.83" x 5.71" x 5.83"	4.422lbs	0.2084ft <sup>3</sup>