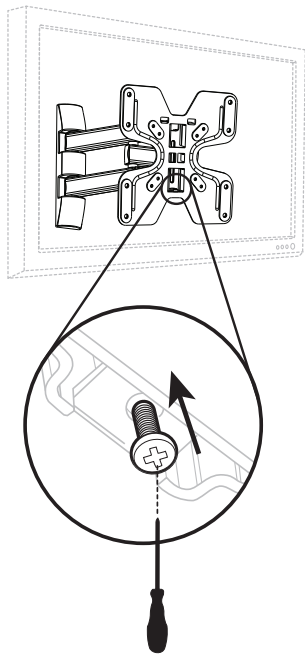
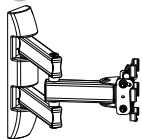











8



Using a screwdriver tighten the securing bolts onto the mount.

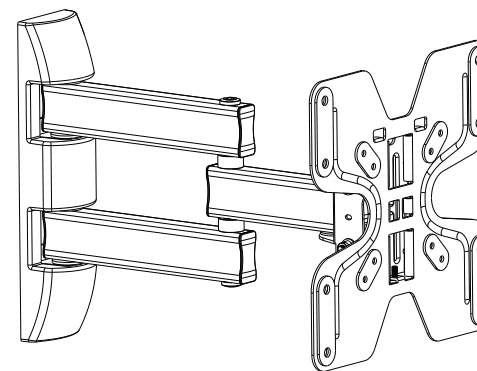
**SET INCLUDES**

- |   |   |   |   |
|---|---|---|---|
| <b>A x1</b><br>                           | <b>B x6</b><br>                           | <b>C x6</b><br>                           |   |
| <b>D x2</b><br>                          | <b>E x4</b><br>                          | <b>F x1</b><br>                          |   |
| <b>G<sub>1</sub> x4</b><br><b>M4</b><br> | <b>G<sub>2</sub> x4</b><br><b>M5</b><br> | <b>G<sub>3</sub> x4</b><br><b>M6</b><br> | <b>G<sub>4</sub> x4</b><br><b>M8</b><br> |



**LN2TA200**

**Full motion  
TV wall mount**

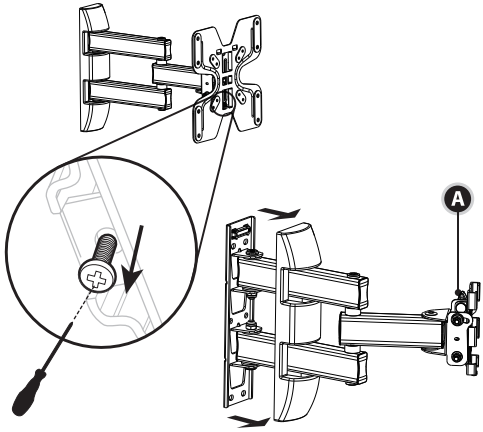


**Easy installation:**  
Scan for installation video  
For more information visit:  
[www.ross.co.uk](http://www.ross.co.uk)

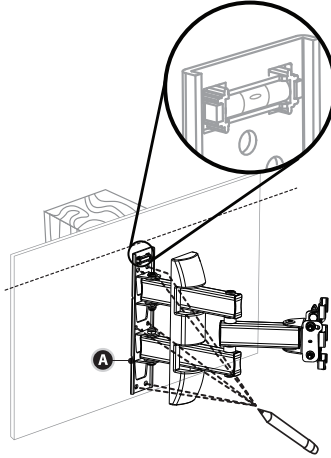
Whilst every effort has been made to ensure that the provided screws are suitable for connecting the mount to the vast majority of TV brands and models, Ross cannot be held responsible on the rare occasion that the supplied screws are not sufficient. Contact us for more information at [help@ross.co.uk](mailto:help@ross.co.uk)

**1**

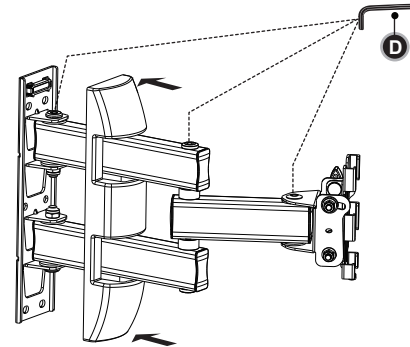
Remove the covering clip off the bracket, and loosen the secure bolt on the bracket. When selecting the position of the TV mount ensure that it is fixed onto a wooden joist or onto a solid wall. Mark the wall where the fixing locations are ensuring that the mount will be mounted on to a flat surface and is level.

**2**

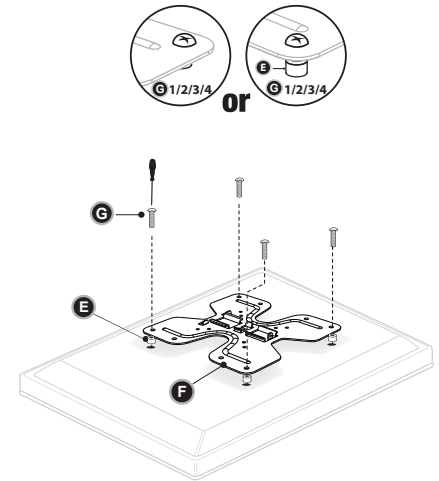
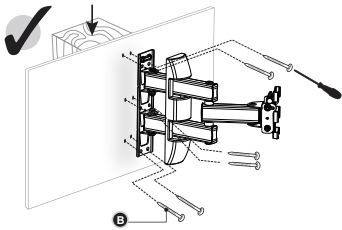
Using the provided self tapping screws (B) type. Holding the TV mount starting in the one corner, screw the provided screws (B) into a wooden joist fixing the opposite corners, until the mount is secure onto the wall. Ensure all are tight and secure.

**4**

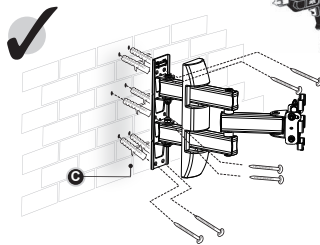
Using the provided Allen key (D) tighten the up the two angling bolts to the appropriate angle required.

**5**

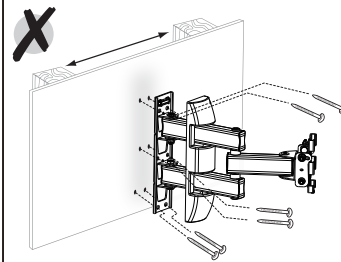
Provided select the appropriate ones to hold the hooks (G) onto the TV. Ensuring that the mounts are facing the top end of your TV screw the mounts onto the TV ensuring not to over-tighten.

**3**

Using the provided self tapping screws (B) type. Holding the TV mount starting in the one corner, screw the provided screws (B) into a wooden joist fixing the opposite corners, until the mount is secure onto the wall. Ensure all are tight and secure.



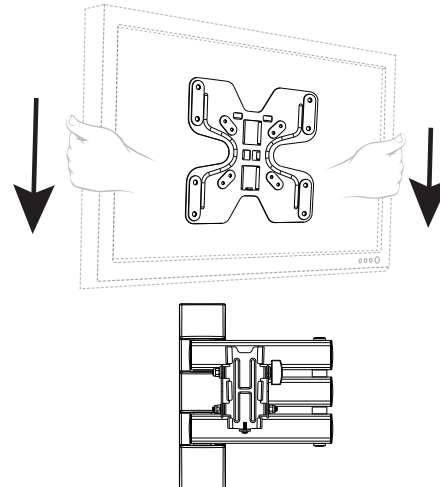
When selecting the position of the TV mount, ensuring that the mount will be mounted on to a flat surface and is level. Mark the wall where the fixing locations are. Drill the holes using a 10mm masonry bit. Using a hammer knock the the wall plugs (C) provided into the wall. Holding the TV mount start in the one corner screw the provided screws (B) into the wall fixing the opposite corners until the mount is secure onto the wall. Ensure all are tight and secure.



Ensure that the mount is fixed to a solid object and not into plasterboard on its own.

**6**

Hold each side of the TV with the hooks facing away from you.

**7**

Slide the TV onto the bracket ensuring that the TV is centered onto the mount.

